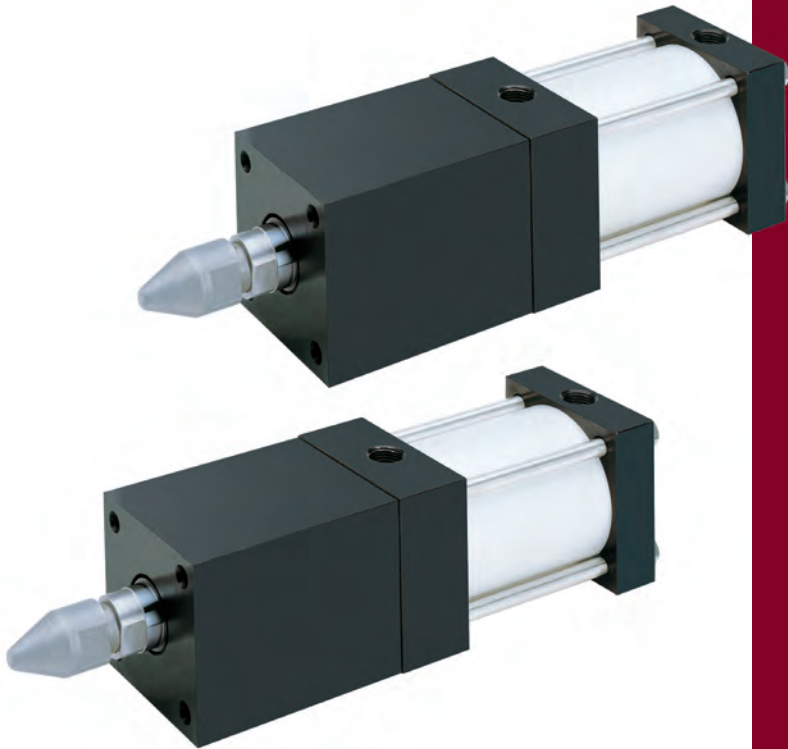


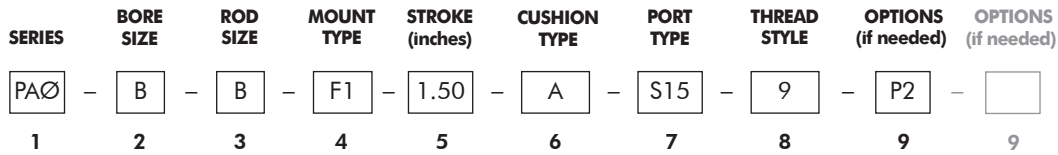
Pin-Act Cylinders



COMPACT[®]
AUTOMATION PRODUCTS



How to Order: Pneumatic Tie Rod Pin-Act Cylinder (1 1/2" to 4" Bore)



1	PAØ	NFPA Shot Pin Cylinder
---	------------	------------------------

2	A	1 1/2" Bore Cylinder
	B	2" Bore Cylinder
	C	2 1/2" Bore Cylinder
	D	3 1/4" Bore Cylinder
	E	4" Bore Cylinder

3	A	Single End, Standard Rod Size*
	B	Single End, Oversize Rod Size
	C	Double End, Standard Rod Size*
	D	Double End, Oversize Rod Size

*NOTE: 3-1/4" and 4" bore only.

4	F1	Front Flange Mount
	F2	Rear Flange Mount
	S1	Angle Mount
	S2	Side Lug Mount
	S4	Bottom Tap Mount
	X0	Basic No Mount
	X1	Both Extended Tie Rod Mount
	X2	Cap Extended Tie Rod Mount
	X3	Rod Extended Tie Rod Mount

5	Specify Stroke to Two Decimal Places*
Example	1 1/2" = 1.50
	Standard Stroke Tolerance +/- .031

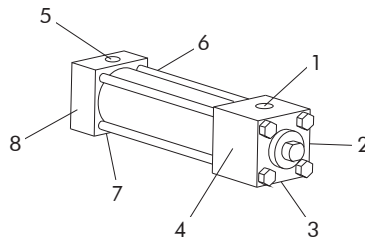
*Consult Factory above 4.00 inches stroke.

6	A	No Cushion
	B	Cushion Both Ends 1 & 5*
	C	Cushion Both Ends 2 & 6 (STD)*
	D	Cushion Both Ends 3 & 7*
	E	Cushion Both Ends 4 & 8*
	F	Cushion Cap End 5
	G	Cushion Cap End 6
	H	Cushion Cap End 7
	I	Cushion Cap End 8
	J	Cushion Head End 1*
	K	Cushion Head End 2*
	L	Cushion Head End 3*
	M	Cushion Head End 4*

* Not available for 1 1/2" Bore.

Port and Cushion Location

Standard Port Position 1 & 5
Standard Cushion Position 2 & 6



7	S15	Standard Port Size 1&5 (STD)
	S26	Standard Port Size 2 & 6
	S37	Standard Port Size 3 & 7
	S48	Standard Port Size 4 & 8

8	1	Style #1 Male Thread
	2	Style #2 Male Thread
	3	Style #3 Female Thread
	8	Style #8 Blunt End
	9	Style #9 Cone Point Thread

Rod Size and Thread Style Chart					
Bore	Rod Size	Style #1 Male Thread	Style #2 Male Thread	Style #3 Female Thread	Style #9 Cone Point Thread
1 1/2"	Oversize (1")	3/4-16	7/8-14	3/4-16	1/2-20
2"	Oversize (1")	3/4-16	7/8-14	3/4-16	1/2-20
2 1/2"	Oversize (1")	3/4-16	7/8-14	3/4-16	1/2-20
3 1/4"	Standard (1")	3/4-16	7/8-14	3/4-16	1/2-20
3 1/4"	Oversize (1 3/8")	1-14	1 1/4-12	1-14	5/8-18
4"	Standard (1")	3/4-16	7/8-14	3/4-16	1/2-20
4"	Oversize (1 3/8")	1-14	1 1/4-12	1-14	5/8-18

NOTE: Male rod ends are threaded rod studs.

The following chart shows maximum static side loads per rod size and stroke. Standard design practices should take factors such as impact and shot pin friction into account when selecting a cylinder and rod diameter.

Maximum Side Loads (lbf)				
Rod Dia.	1" Stroke	2" Stroke	3" Stroke	4" Stroke
1"	500	260	160	80
1 3/8"	1900	930	600	300

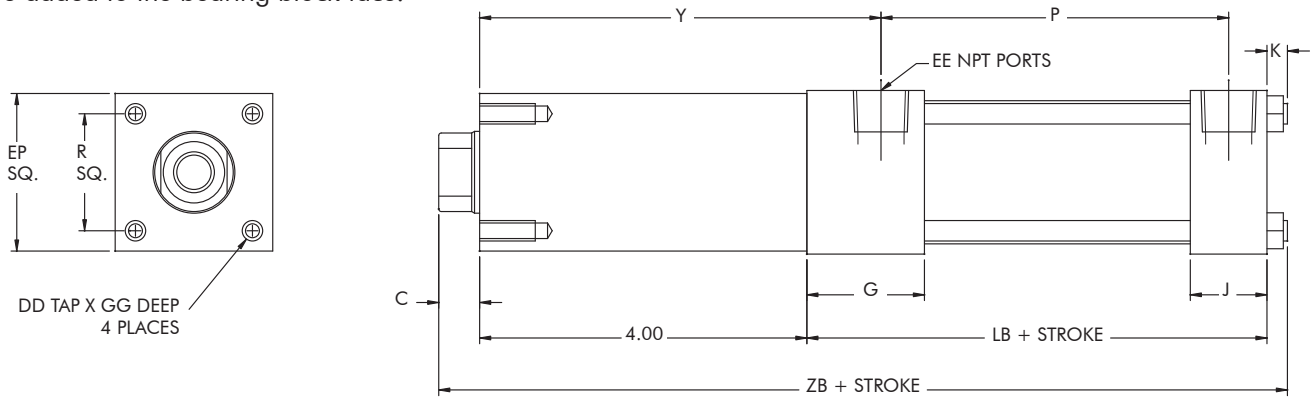
9	EP	Enersorb Piston
	MP	Magnetic Piston
	P1	45° Cone Point*
	P2	60° Cone Point*
	STS	Stainless Steel Rod
	VS	Viton Seals*
	Dxx.xx	Dual Piston (specify length)
	Rxx.xx	Rod Extension (specify length)
	Txx.xx	Thread Extension (specify length)

* Style #9 thread required.

* Aluminum piston required.

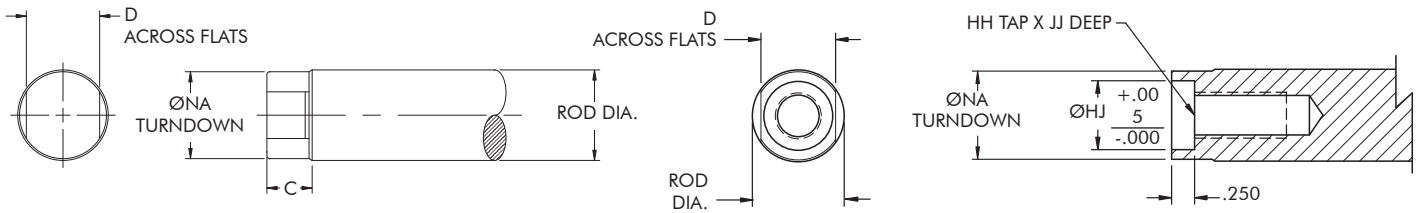
Basic Dimensions (X0 Mount)

The basic mounting (X0) is shown below; however other mounting styles are available. Special note: F1, S1, X1 mounts are added to the bearing block face.



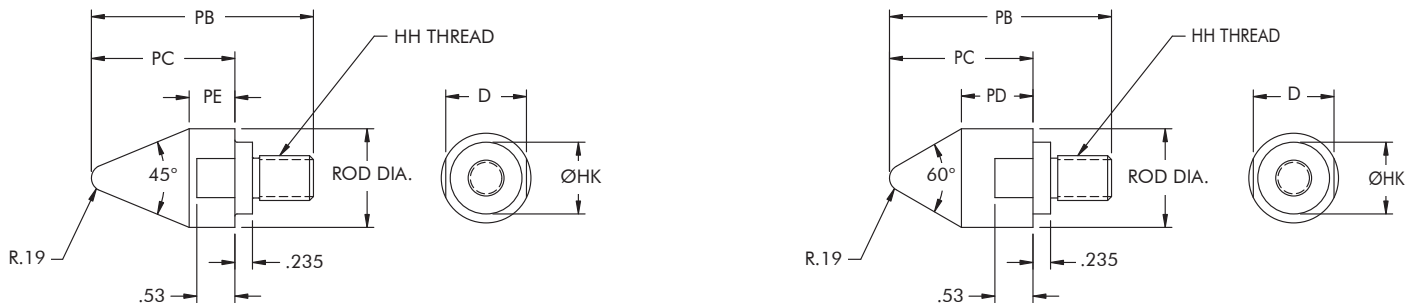
Dimensional Specifications														
Bore	Rod	Y	P	G	J	EE	LB	EP	K	C	ZB	R	DD TAP	GG DEPTH
1 1/2	1	4.94	2.25	1.50	1.00	3/8	3.63	1.93	.25	.438	8.313	1.43	1/4-28	.63
2	1	4.84	2.34	1.50	1.00	3/8	3.63	2.43	.31	.438	8.375	1.84	5/16-24	.63
2 1/2	1	4.84	2.47	1.50	1.00	3/8	3.75	2.93	.31	.438	8.500	2.19	5/16-24	.63
3 1/4	1	5.06	2.63	1.75	1.25	1/2	4.25	3.68	.38	.438	9.063	2.76	3/8-24	1.00
	1 3/8	5.06	2.63	1.75	1.25	1/2	4.25	3.68	.38	.563	9.188	2.76	3/8-24	1.00
4	1	5.06	2.63	1.75	1.25	1/2	4.25	4.43	.38	.438	9.063	3.32	3/8-24	1.00
	1 3/8	5.06	2.63	1.75	1.25	1/2	4.25	4.43	.38	.563	9.188	3.32	3/8-24	1.00

Rod End Styles



NOTE: See page 4 for Rod End Styles #1, #2 and #3.

Cone Point Styles



Dimensional Specifications										
Rod Dia.	D	HH	HJ	HK	PB	PC	PD	NA	PE	JJ
1	.81	1/2-20	.750	.748	2.68	1.59	.91	.96	.68	1.00
1-3/8	1.13	5/8-18	1.000	.998	3.10	2.00	1.00	1.31	.64	1.63

Compact Automation Products, LLC
105 Commerce Way
Westminster, SC 29693
Tel: 864.647.9521
Fax: 864.647.9574
www.compactautomation.com